

Model Specification and Spare Parts

Air driven series

218A - NE42, S50

42121801

Original model specification and spare parts

EN MODEL SPECIFICATION AND SPARE PARTS

Table of contents

1 Model Specification	4
2 Spare Parts	5

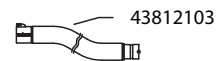
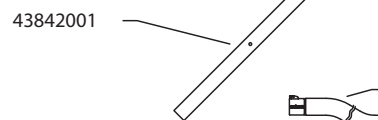
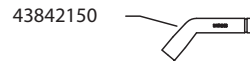
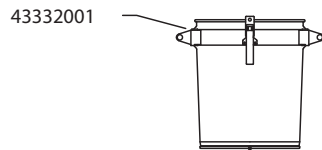
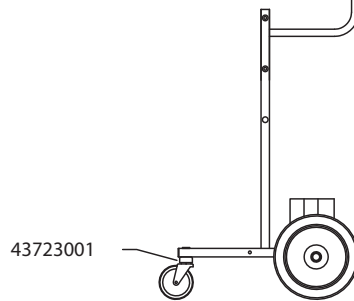
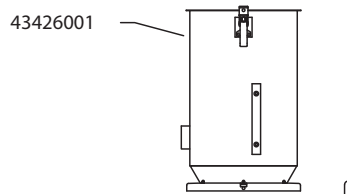
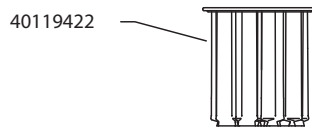
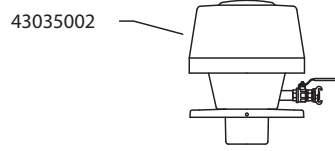
1 Model Specification

Description: 218A - NE42, S50

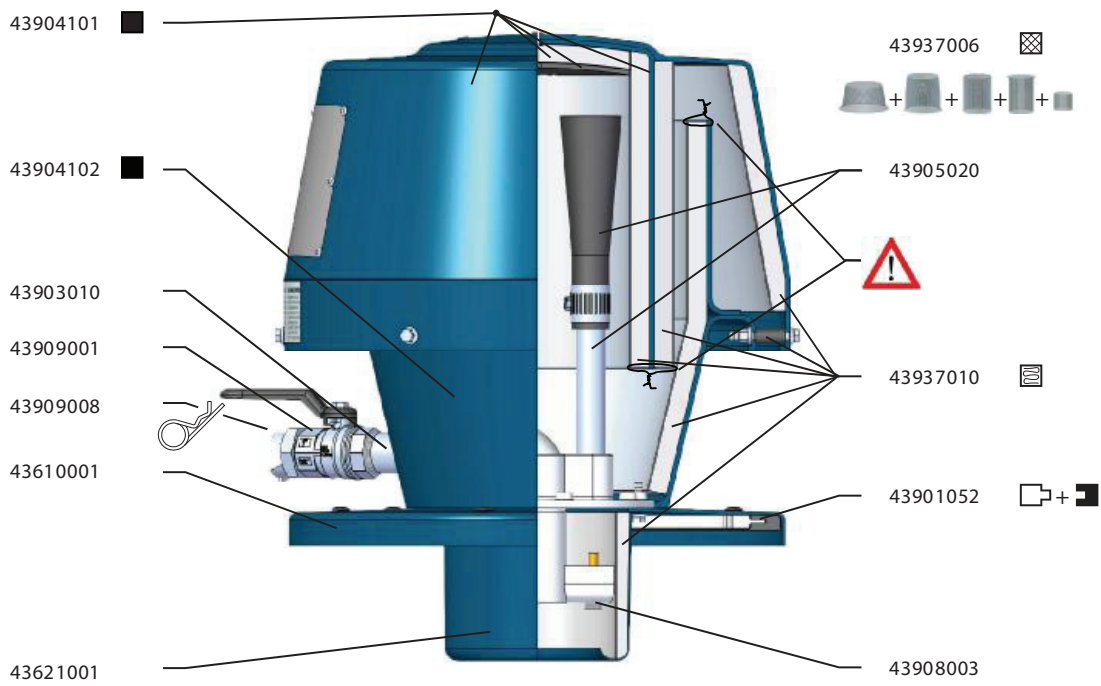
Model: 42121801

Code No.	Description	Qty.
40119422	Filter pack P30 s/n 13610-	1
43035002	NE42 S50	1
43332001	Container S50 47l w/ecc fastners	1
43426001	SiloS50f/filterpackD76conicalInlet	1
43622102	Adapter S50 f/filtercleaning, speci	1
43723001	Trolley S50 f/silo	1
43812103	Hose PE/C-51 L=7,5m	1
43840001	Floor suct head d51/450	1
43842001	Suction pipe d51 PEHD-el	1
43842150	Pipe bend d51 antistatic	1
43860200	Brush nozzle d51 soft	1
43862001	Conical nozzle d51	1
43880300	Reducer conical d76-51	1

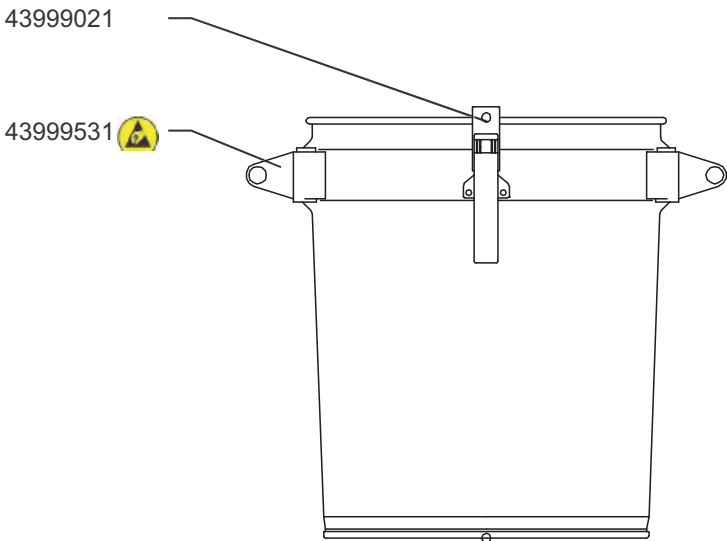
2 Spare Parts



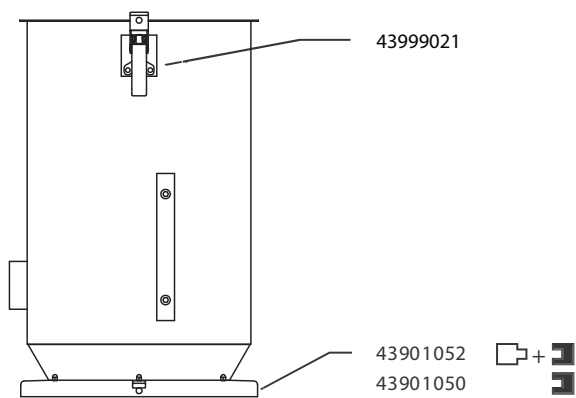
42121801



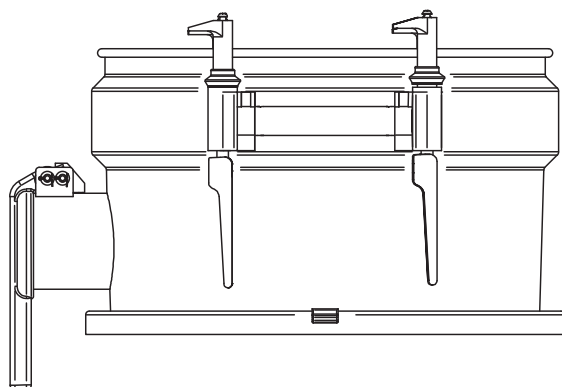
43035002



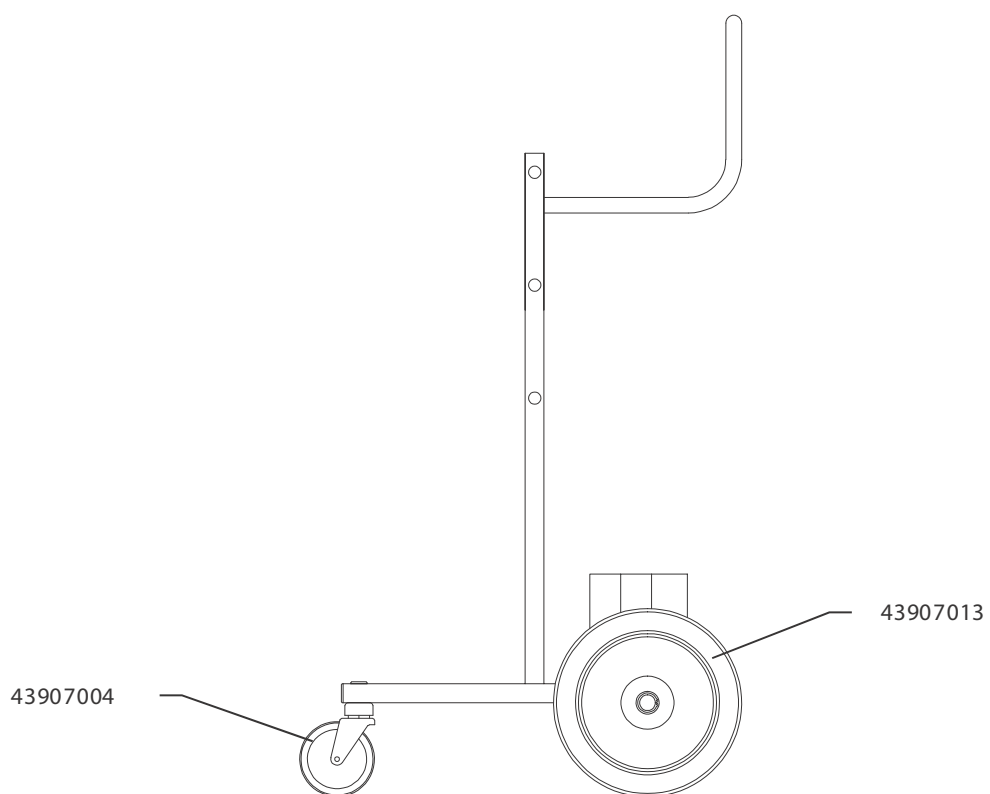
4332001



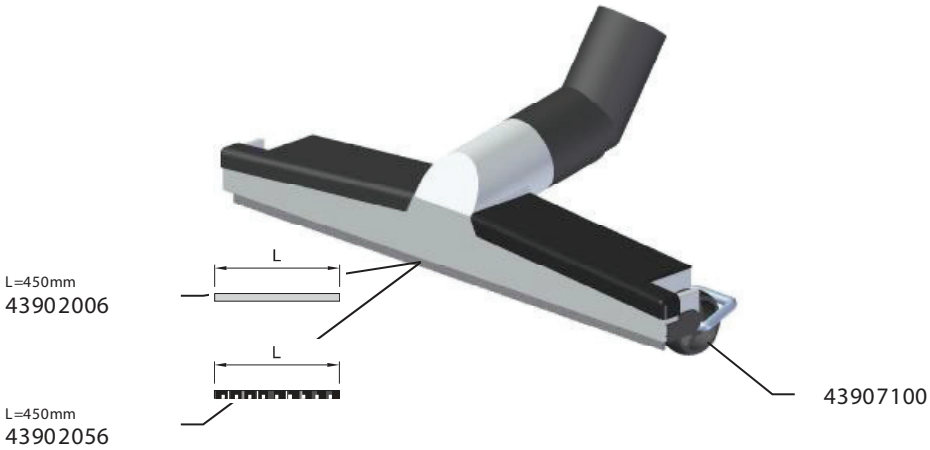
43426001



43622102



43723001



43840001

Nederman

www.nederman.com