

Model Specification and Spare Parts

Air driven series

216A-NE42, S50

42121607

Original model specification and spare parts

EN MODEL SPECIFICATION AND SPARE PARTS

Table of contents

1 Model Specification	4
2 Spare Parts	5

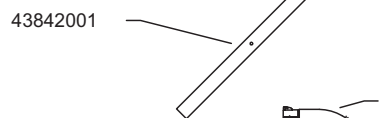
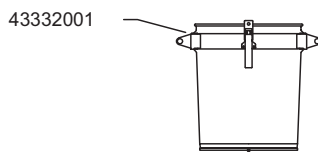
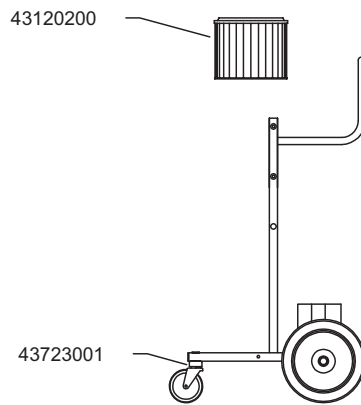
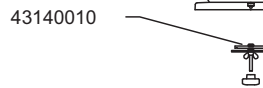
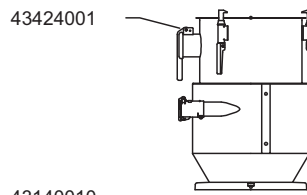
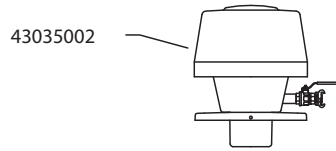
1 Model Specification

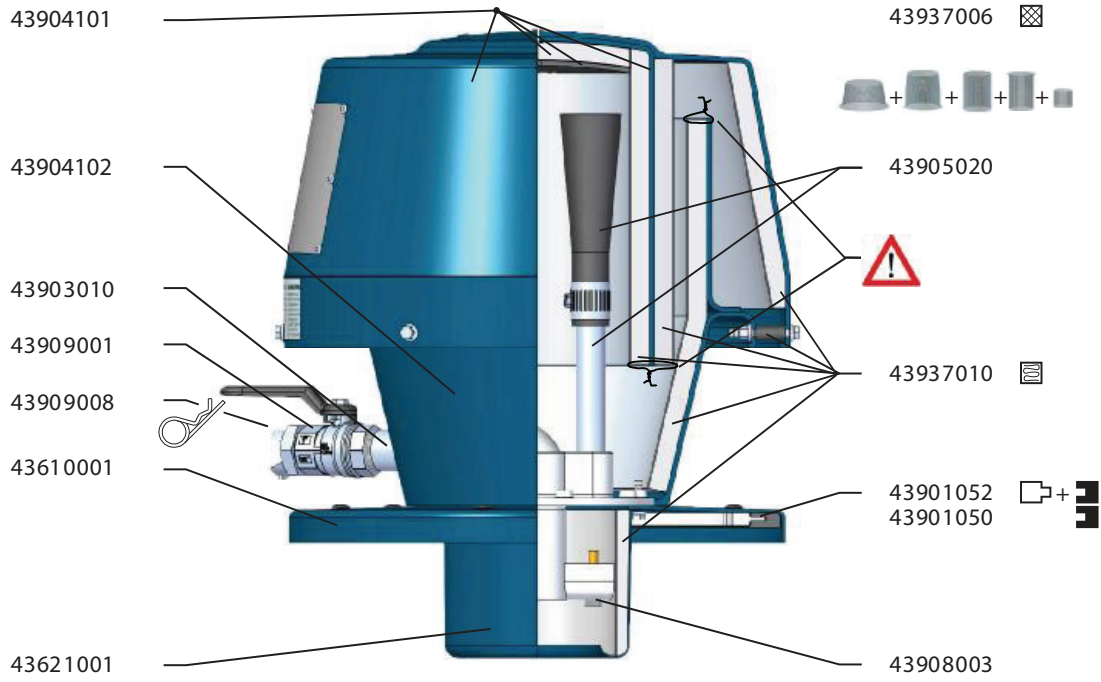
Description: 216A-NE42, S50

Model: 42121607

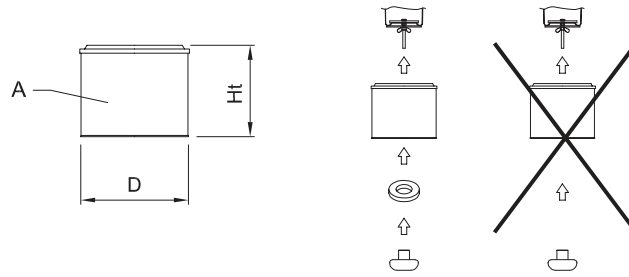
Code No.	Description	Qty.
43035002	NE42, S50	1
43120200	Absolute filter L=220 A=1.56m ² wo/perf.plate	1
43140010	Clamp f/cartr.filter M10 L=90 EI-Zn	1
43332001	Container S50 47l w/ecc fastners	1
43424001	Silo S50 w/rev air clean	1
43723001	Trolley S50 f/silo	1
43840001	Floor suct head d51/450	1
43860200	Brush nozzle d51 soft	1
43862001	Conical nozzle d51	1
43842001	Suction pipe d51 PEHD-el L-1140 mm	1
43842150	Pipe bend d51 antistatic	1
43812103	Hose PE/C-51 L=7,5m	1

2 Spare Parts



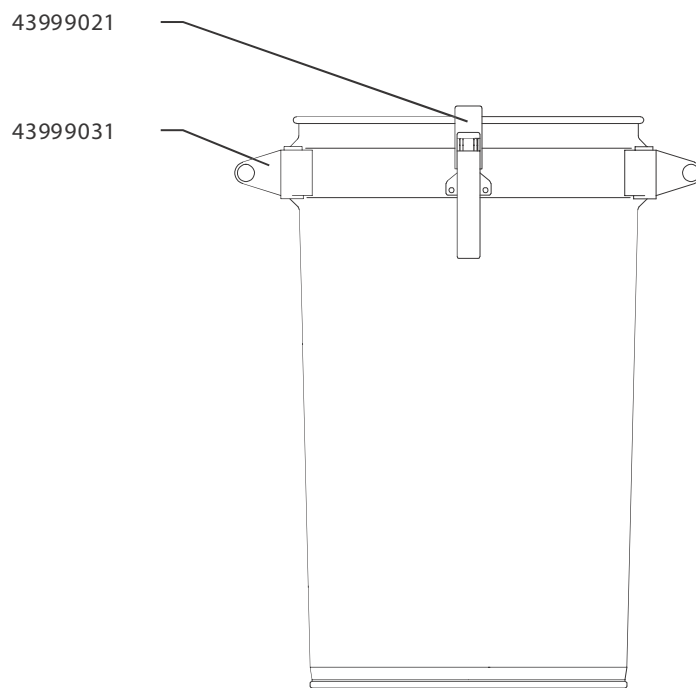


43035002

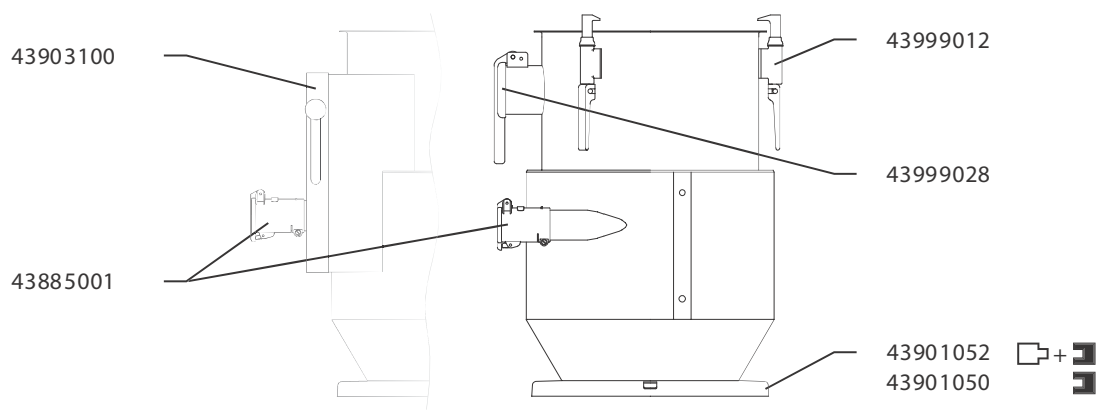


Product number:	Area m ²	Max. temp. °C	Diameter mm	Height mm	Weight kg	BIA	EN 60335-2-69 / EN 1822	Anti-static	Wash-able	End plate*
43120200	1,56	70	264	220	2,0	K 1/K2	H13	-	-	-

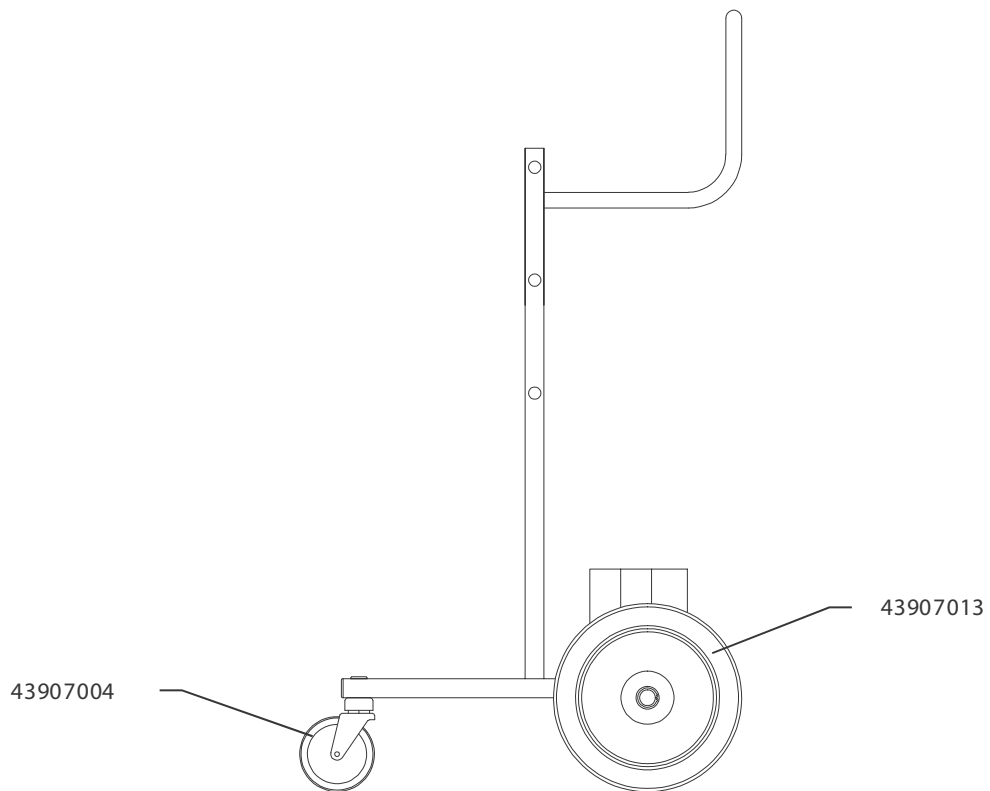
43120200



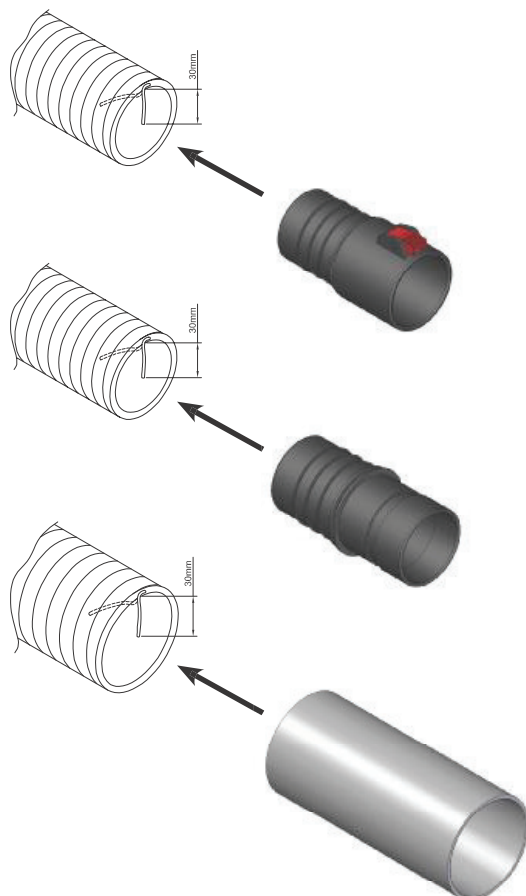
43332001



43424001

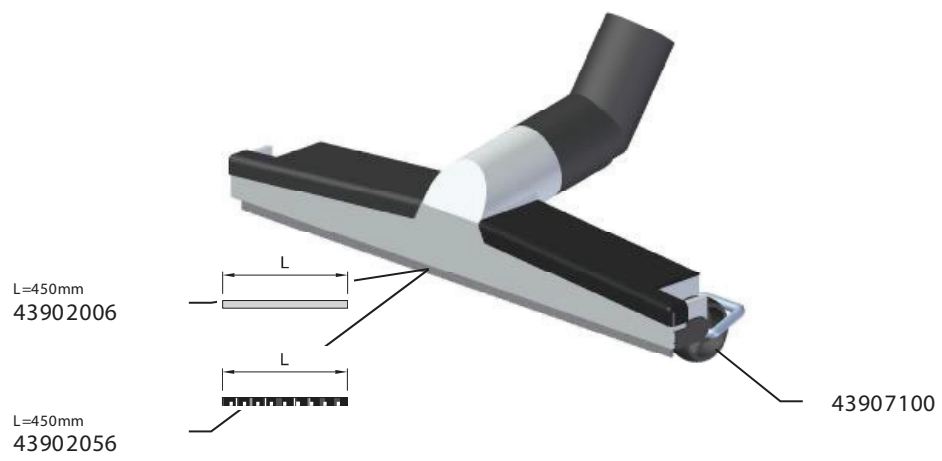


43723001



Material	C°/F°
PE	-40°C - +60°C -40°F - +140°F

43812103



43840001

Nederman

www.nederman.com