

Model Specification and Spare Parts

Air powered series
112A - NE74, S50
42111202

Original model specification and spare parts

EN MODEL SPECIFICATION AND SPARE PARTS

Table of contents

1 Model Specification	4
2 Spare Parts	5

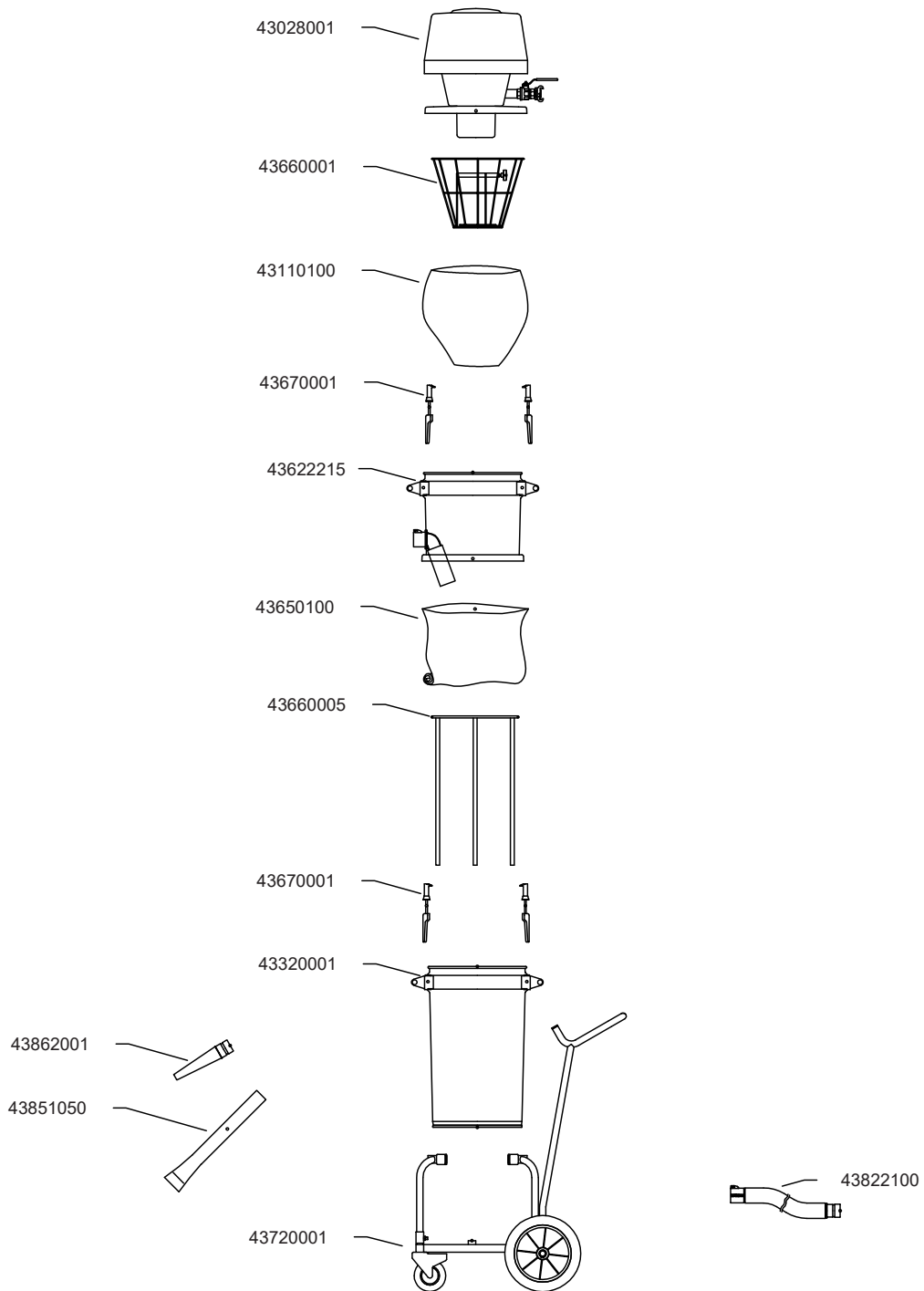
1 Model Specification

Description: 112A - NE74, S50

Model: 42111202

Code No.	Description	Qty.
43028001	NE74, S50	1
43110100	Filter bag S50 polyester/teflon	1
43320001	Container S50	1
43670001	Fastener complete	2
43622215	Adapter S50 w/inlet d51 w/15cm PVC hose d51	1
43650100	Plastic bag S50	1
43660001	Basket S50 f/ball/filter bag	1
43660005	Support S50 f/plastic bag H=588	1
43720001	Trolley S50	1
43851050	Scraping tool d51 L=500	1
43862001	Conical nozzle d51	1
43822100	Suction hose PVC d51 L=6m antistatic w/male-female connect	1

2 Spare Parts



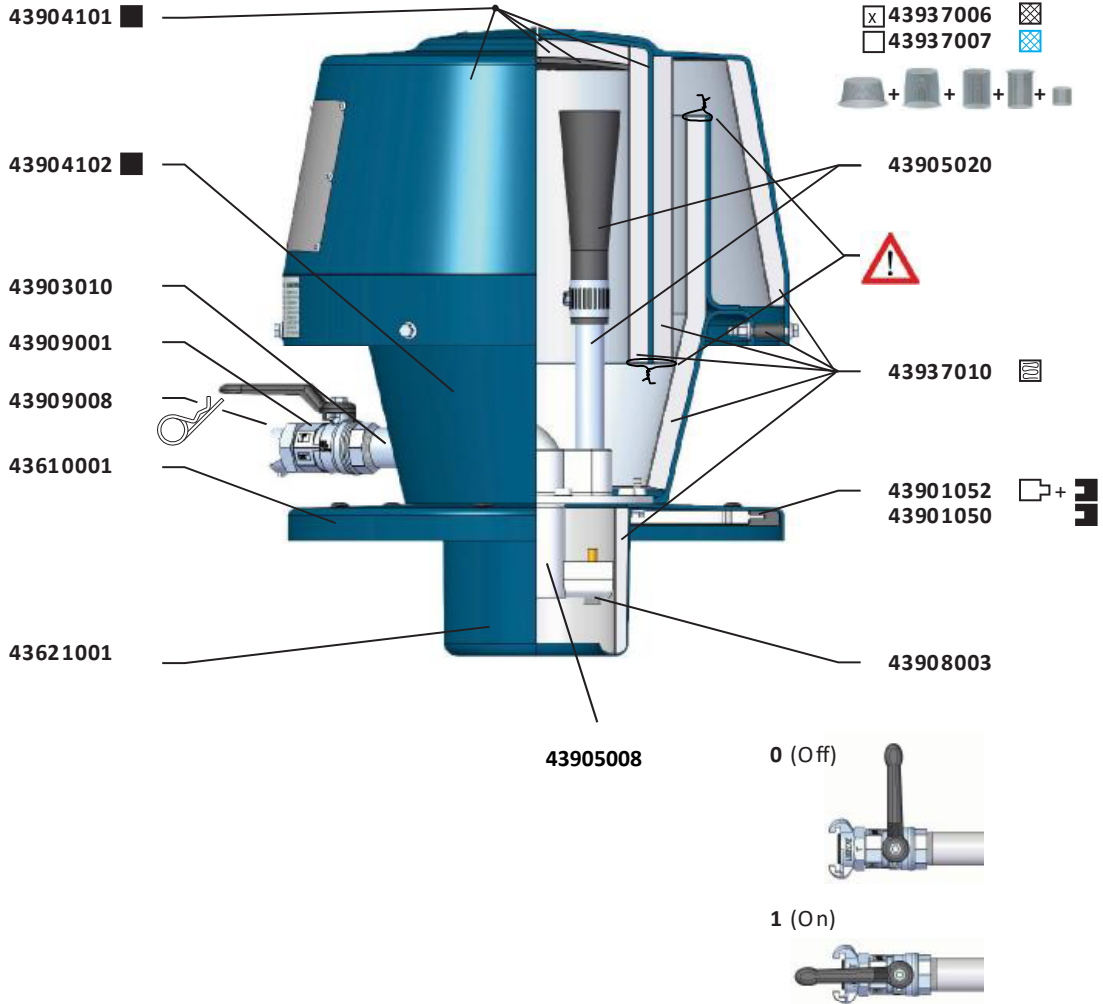
42111202



MAX 8 bar



S 235JR (S t37.2)

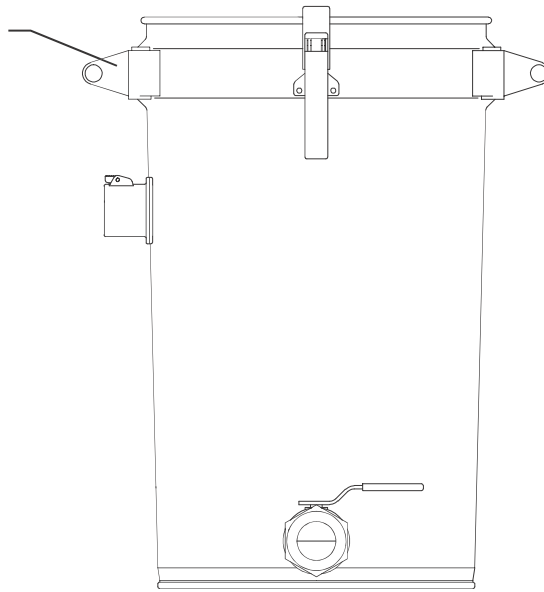


43028001



S 235J R (S t37.2)

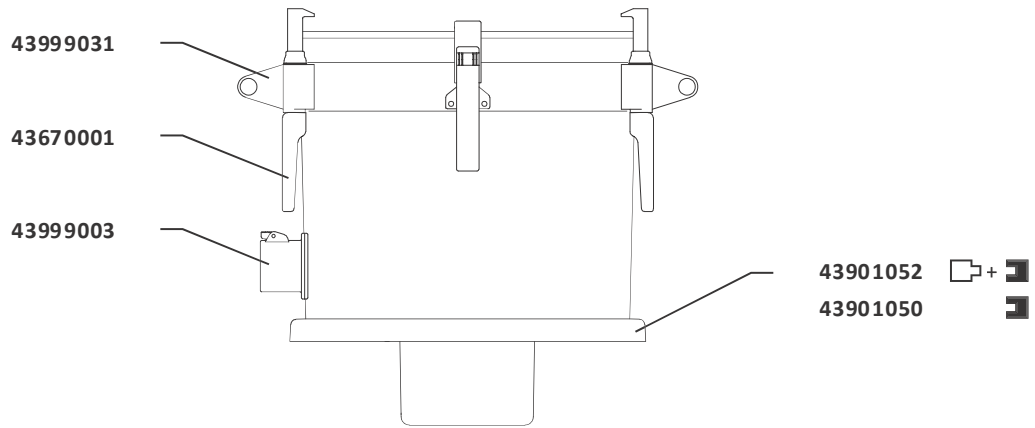
43999031



43320001



S 235JR (S t37.2)



43622215



S 235J R (S t37.2)

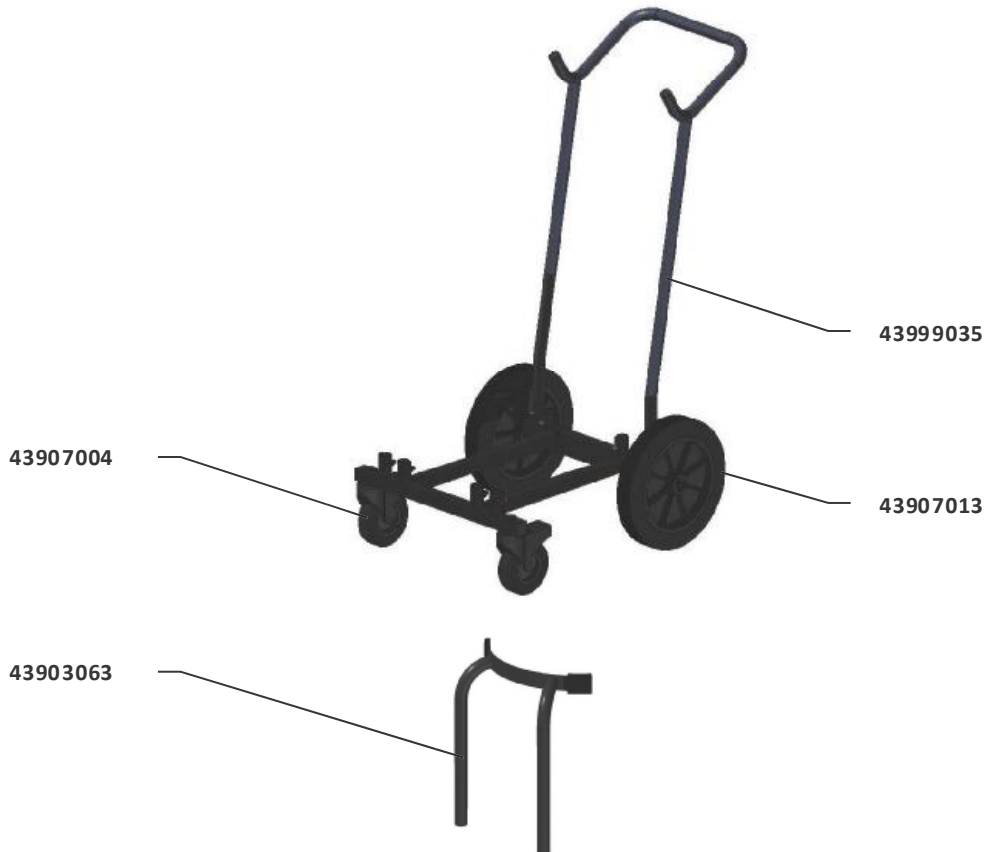
43908004



43660001



S 235JR (S t37.2)



43720001

Nederman

www.nederman.com