

Mounting system for electrical components

Item No. 12401341

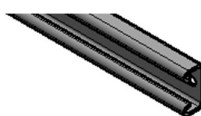
Compatible with Nederman FibreDrain models in table on page 6



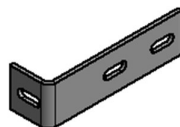
To order this specific mounting instruction use Nederman AX part number:

12401342

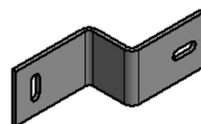
In delivery:



3x Channel profile length 3m (cut to length)



2x Upper bracket



2x Lower bracket



10x End cap



14x Channel nut with spring



14x Bolt M8x25



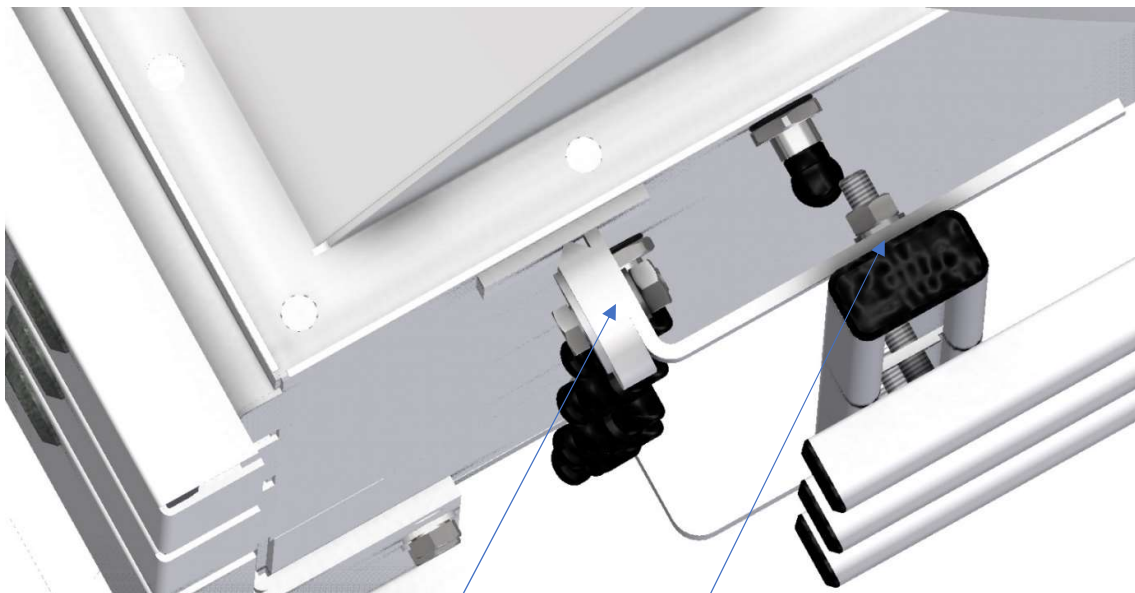
8x Penny washer Ø30



12x Washer M8



12x Locking nut M8



Upper bracket (2x) is to be mounted to the lifting lug with:

Screw M8x25 (1x) / lug
Penny washer $\varnothing 30\text{mm}$ (1x) / lug
Washer M8 (1x) / lug
Locking nut M8 (1x) / lug

Vertical channel profile (2x) shall be cut to the desired length and bolted to the upper and lower brackets with :

Screw M8x25 (1x) / bracket
Washer M8 (2x) / bracket
Locking nut M8 (1x) / bracket



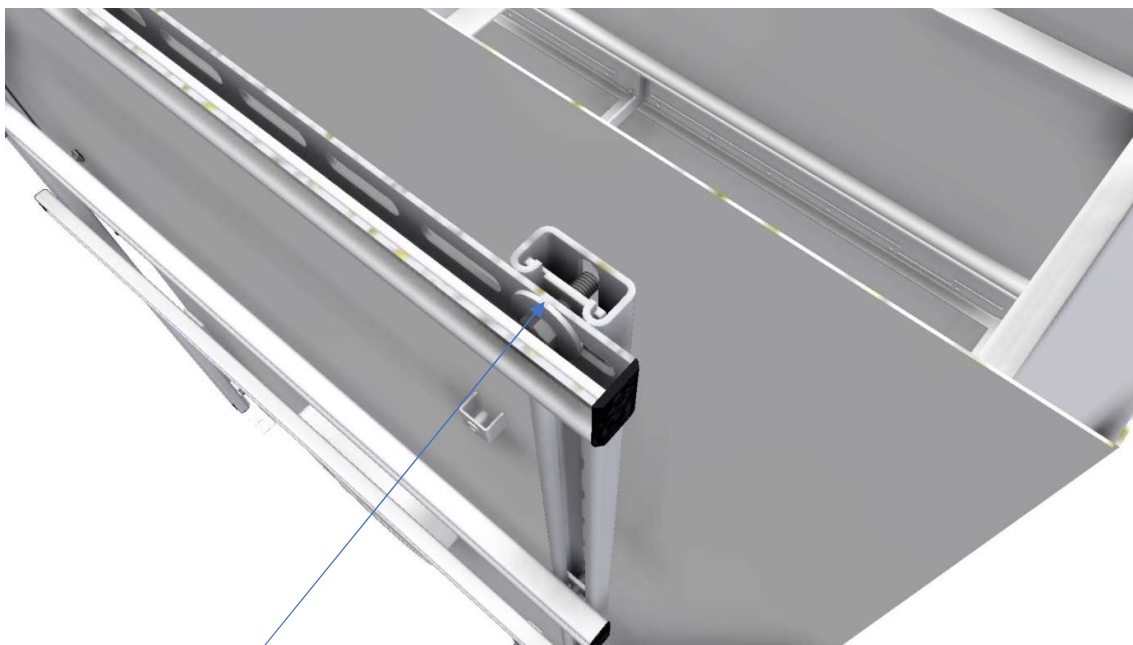
Lower brackets (2x) is to be mounted to the legs with:

Screw M8x25 (1x) / leg
Washer M8 (2x) / leg
Locking nut M8 (1x) / leg



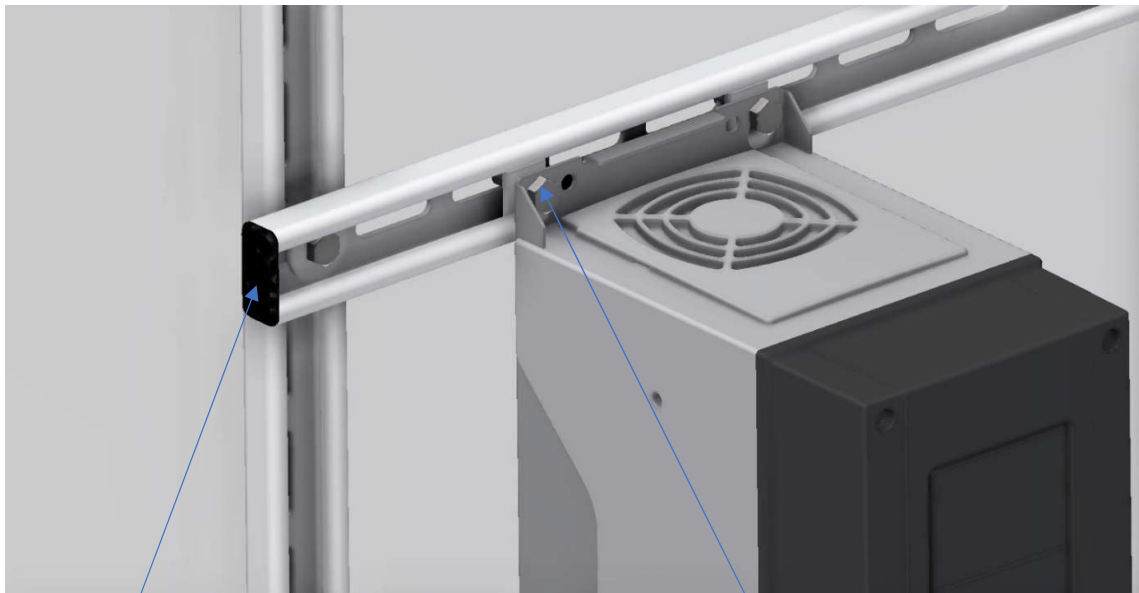
In Standard modular models drilling $\varnothing 8,5$ in bottom beam is required
lower brackets (2x) is to be mounted to the legs with:

Screw M8x25 (1x) / leg
Washer M8 (2x) / leg
Locking nut M8 (1x) / leg



Horizontal channel profile (2 or 3x) is to be cut to desired length and mounted to the vertical channel profiles (2x) with:

Screw M8x25 (2x) / profile
Penny washer $\text{\O}30\text{mm}$ (2x) / profile
Channel nut with spring (2x) / profile



Endcaps is to be mounted in all open ends of
The channel profiles.

Electrical components is to be mounted to
horizontal channel profiles with:

Screw M8 (4x) in component delivery
Washer M8 (4x) in component delivery
Channel nut with spring (4x) / component

Mounting system can be used for 50Hz:			
Description	Item No.	Description	Item No.
Single units			
OSF 1000-2	12400027	OMF 1000-2	12400024
OSF 1000	12400029	OMF 2000	12400008
OSF 2000i	12400847	OMF 4000i	12400848
OSF 2000	12400011	OMF 4000	12400030
OSF 3000	12400035	OMF 6000	12400036
OSF 3500	12400031		
OSF 4000	12400899		
OSF 7000	12400900		
Standard Modular units - part of the standard range			
OSF 2x2000	12401141 / 12401142	OMF 2x4000	12401151 / 12401152
OSF 3x2000	12401143 / 12401144	OMF 3x4000	12401153 / 12401154
OSF 4x2000	12401145 / 12401146	OMF 2x6000	12401155 / 12401156
OSF 5x2000	12401147 / 12401148		
OSF 4x3000	12401149 / 12401150		
It also can be used for Special modular units, with separate fan on floor and MQL			

Mounting system can be used for 60Hz:			
Description	Item No.	Description	Item No.
Single units			
OSF 1000-2	12400962	OMF 1000-2	12400961
OSF 1000	12400956	OMF 2000	12400957
OSF 2000i	12401114	OMF 4000i	12401115
OSF 2000	12400958	OMF 4000	12400964
OSF 3000	12401234	OMF 6000	12400967
OSF 3500	12400965		
OSF 4000	12401116		
OSF 7000	12401117		
Standard Modular units - part of the standard range			
OSF 2x2000	12401257 / 12401258	OMF 2x4000	12401283 / 12401284
OSF 3x2000	12401259 / 12401260	OMF 3x4000	12401285 / 12401286
OSF 4x2000	12401261 / 12401262	OMF 2x6000	12401287 / 12401288
OSF 5x2000	12401265 / 12401266		
OSF 4x3000	12401263 / 12401264		
It also can be used for Special modular units, with separate fan on floor and MQL			