

Model Specification and Spare Parts

Air driven series

216A - NE52, S50

42121603

Original model specification and spare parts

EN MODEL SPECIFICATION AND SPARE PARTS

Table of contents

1 Model Specification	4
2 Spare Parts	5

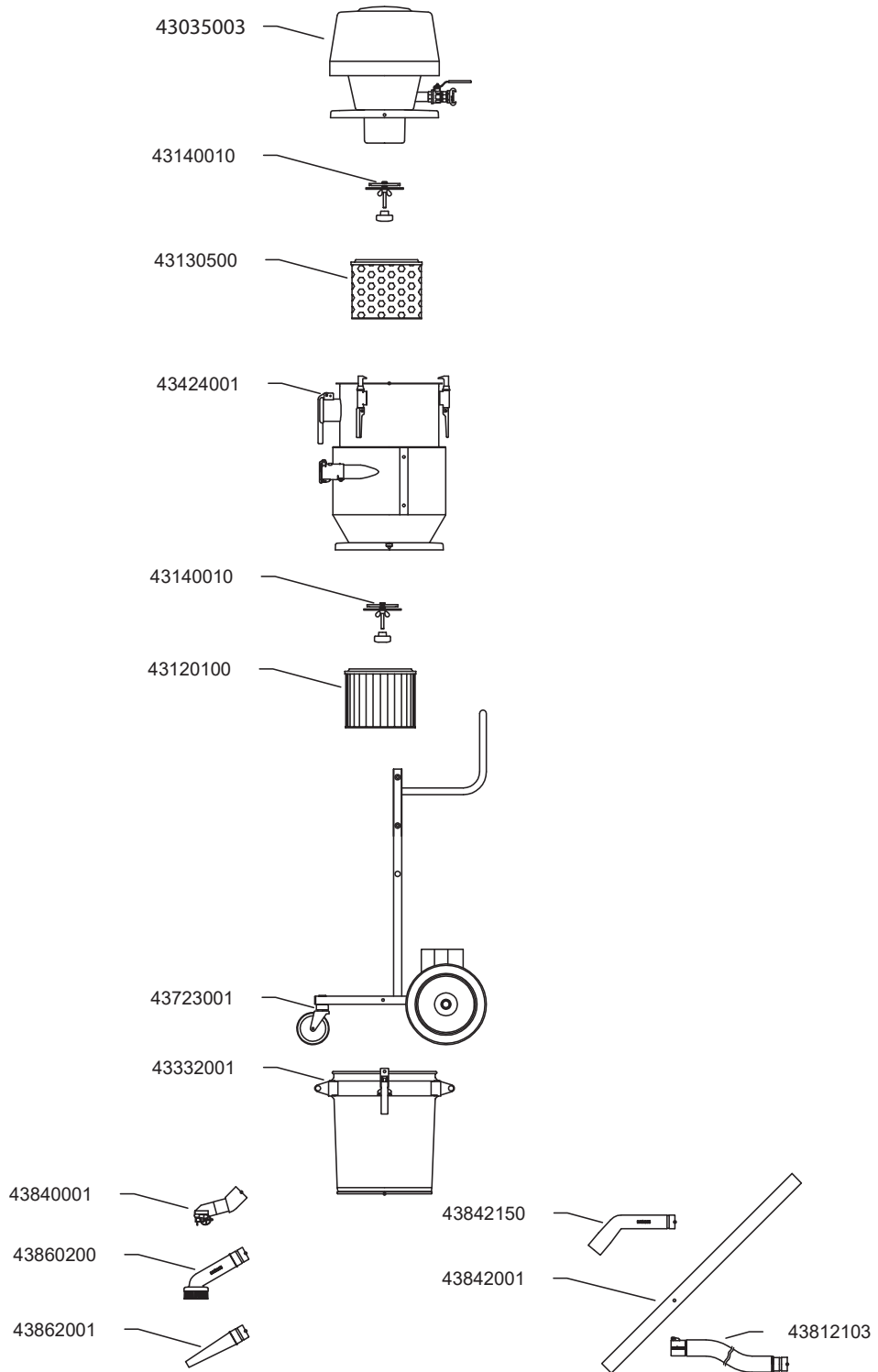
1 Model Specification

Description: 216A - NE52, S50

Model: 42121603

Code No.	Description	Qty.
43035003	NE52, S50	1
43120100	Cartridge filter L=220 A=2.38m ² wo/perf.plate	1
43130500	Absolute filter L=220 A=1.56m ² w/perf.plate w/perf.plate	1
43140010	Clamp f/cartr.filter M10 L=90 El-Zn	2
43332001	Container S50 47l w/ecc fastners	1
43424001	Silo S50 w/rev air clean	1
43723001	Trolley S50 f/silo	1
43840001	Floor suct head d51/450	1
43860200	Brush nozzle d51 soft	1
43862001	Conical nozzle d51	1
43842001	Suction pipe d51 PEHD-el L-1140 mm	1
43842150	Pipe bend d51 antistatic	1
43812103	Hose PE/C-51 L=7,5m	1

2 Spare Parts



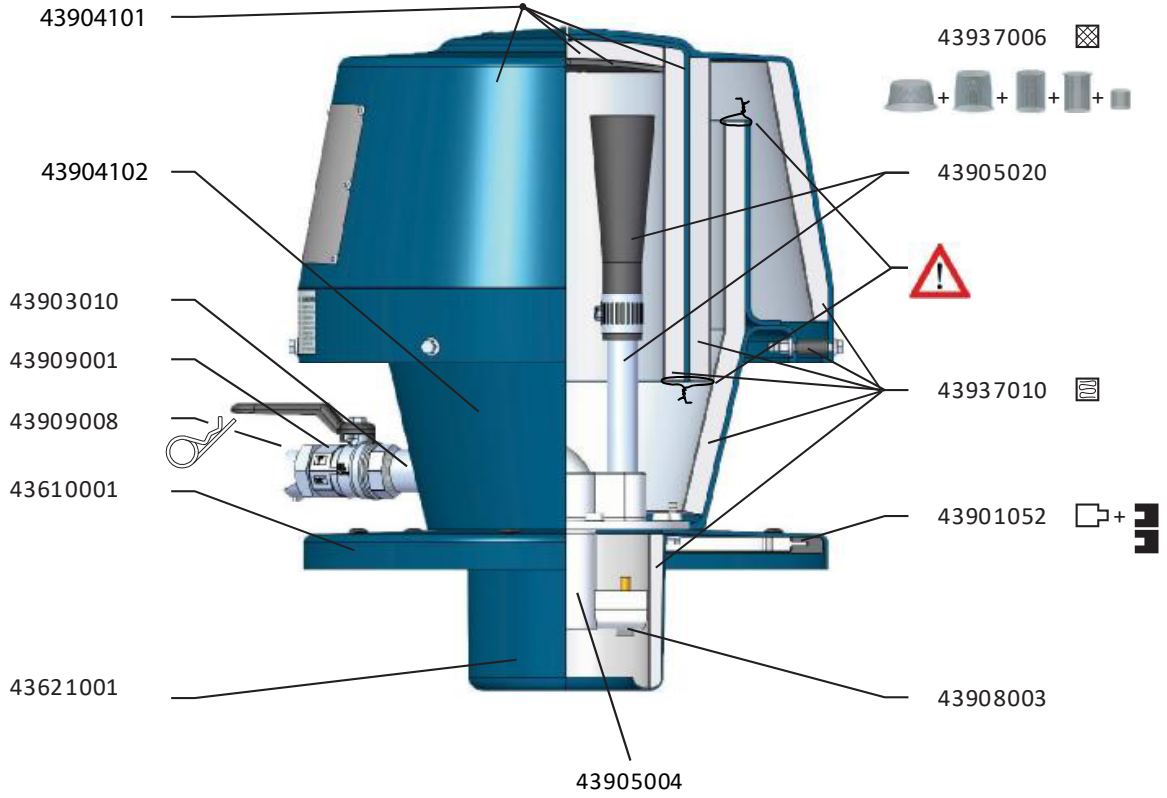
42121603



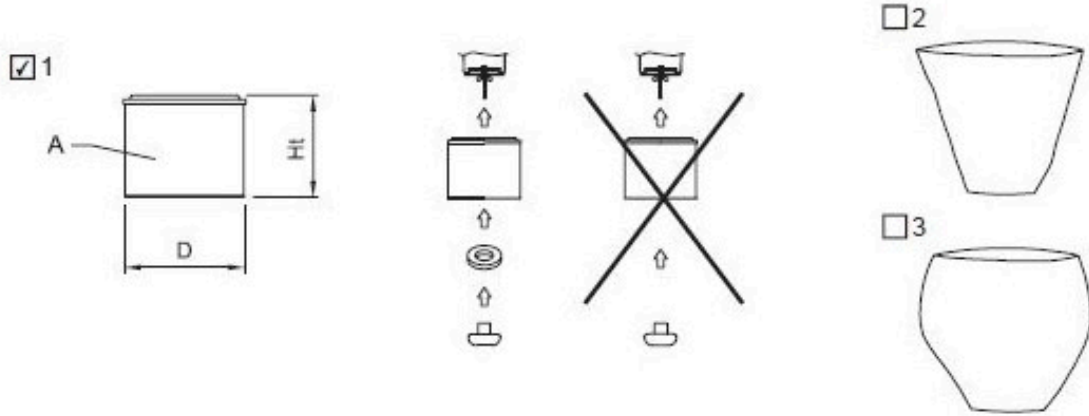
MAX 8 bar



S 235JR (S t37.2)



43035003



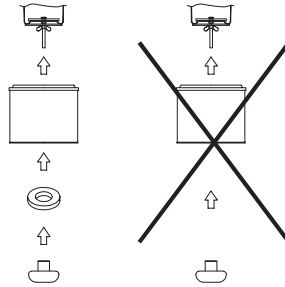
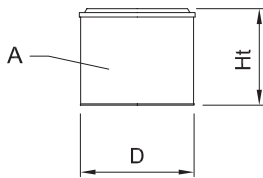
	Product number:	Area m ²	Max. temp. °C	Diameter mm	Height mm	Weight kg	BIA	EN 60335-2-69	Antistatic	Washable	*End plate
<input type="checkbox"/>	43110001	0,5	70	-	-	0,6	-	-	-	-	-
<input type="checkbox"/>	43110100	0,4	120	-	-	0,2	-	-	-	-	-
<input type="checkbox"/>	43110200	0,4	120	-	-	0,2	-	-	x	-	-
<input type="checkbox"/>	43110300	0,6	120	-	-	0,4	-	-	-	-	-
<input type="checkbox"/>	43110400	0,6	120	-	-	0,4	-	-	x	-	-
<input checked="" type="checkbox"/>	43120100	2,4	70	264	220	1,0	U,S,G,C	M	-	-	-
<input type="checkbox"/>	43130001	2,4	70	264	220	2,0	U,S,G,C	M	-	-	-
<input type="checkbox"/>	43130100	2,4	70	264	220	1,0	U,S,G,C	M	-	-	-
<input type="checkbox"/>	43130200	5,4	70	264	470	2,0	U,S,G,C	M	-	-	-
<input type="checkbox"/>	43130201	5,4	70	264	470	3,0	U,S,G,C	M	-	-	-
<input type="checkbox"/>	43130300	6,9	70	264	600	3,0	U,S,G,C	M	-	-	-
<input type="checkbox"/>	43130301	6,9	70	264	600	4,0	U,S,G,C	M	-	-	-
<input type="checkbox"/>	43130400	10,0	70	264	870	5,0	U,S,G,C	M	-	-	-
<input type="checkbox"/>	43130401	10,0	70	264	870	5,0	U,S,G,C	M	-	-	-
<input type="checkbox"/>	43130500	1,6	70	264	220	2,0	K1/K2	H	-	-	-
<input type="checkbox"/>	43120200	1,6	70	264	220	2,0	K1/K2	H	-	-	-
<input type="checkbox"/>	43130700	3,5	70	264	470	3,0	K1/K2	H	-	-	-
<input type="checkbox"/>	43130702	3,5	70	264	470	4,0	K1/K2	H	-	-	-
<input type="checkbox"/>	43130800	4,5	70	264	600	3,0	K1/K2	H	-	-	-
<input type="checkbox"/>	43130801	4,5	70	264	600	3,0	K1/K2	H	-	-	-
<input type="checkbox"/>	43130900	6,5	70	264	870	4,0	K1/K2	H	-	-	-
<input type="checkbox"/>	43130901	6,5	70	264	870	6,0	K1/K2	H	-	-	-
<input type="checkbox"/>	43120300	2,4	120	264	220	2,0	U,S,G,C	M	-	x	-
<input type="checkbox"/>	43120301	2,4	120	264	220	2,0	U,S,G,C	M	x	x	GS
<input type="checkbox"/>	43120303	10,0	120	264	87	2,0	U,S,G,C	M	x	x	-
<input type="checkbox"/>	43120304	2,4	120	264	220	2,0	U,S,G,C	M	x	x	A4
<input type="checkbox"/>	43120400	0,7	80	338	42	0,8	U,S,G,C	M	-	-	-

* A2 = AISI 304 / A4 = AISI 316L / GS = Galvanized steel

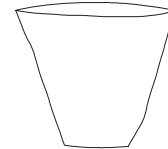
43120100



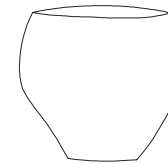
1



2



3



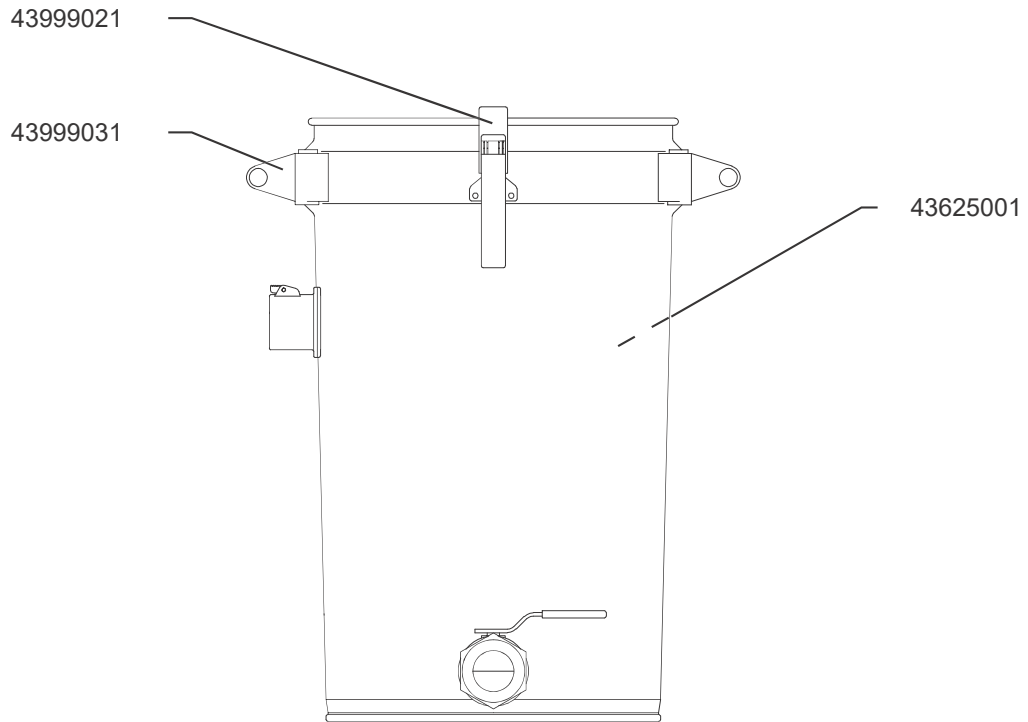
	Product number:	Area m ²	Max. temp. °C	Diameter mm	Height mm	Weight kg	BIA	EN 60335-2-69 / EN1822	Anti-static	Wash-able	End plate*
<input type="checkbox"/>	43110001	0,50	70	-	-	0,6	-	-	-	-	-
<input type="checkbox"/>	43110100	0,35	120	-	-	0,2	-	-	-	-	-
<input type="checkbox"/>	43110200	0,35	120	-	-	0,2	-	-	X	-	-
<input type="checkbox"/>	43110300	0,59	120	-	-	0,4	-	-	-	-	-
<input type="checkbox"/>	43110400	0,59	120	-	-	0,4	-	-	X	-	-
<input type="checkbox"/>	43120100	2,38	70	264	220	1,7	U,S,G,C	M	-	-	-
<input type="checkbox"/>	43130001	2,38	70	264	220	2,0	U,S,G,C	M	-	-	-
<input type="checkbox"/>	43130100	2,38	70	264	220	1,0	U,S,G,C	M	-	-	-
<input type="checkbox"/>	43130200	5,40	70	264	470	2,0	U,S,G,C	M	-	-	-
<input type="checkbox"/>	43130201	5,40	70	264	470	3,0	U,S,G,C	M	-	-	-
<input type="checkbox"/>	43130300	6,90	70	264	600	3,0	U,S,G,C	M	-	-	-
<input type="checkbox"/>	43130301	6,90	70	264	600	4,0	U,S,G,C	M	-	-	-
<input type="checkbox"/>	43130400	10,00	70	264	870	5,0	U,S,G,C	M	-	-	-
<input type="checkbox"/>	43130401	10,00	70	264	870	5,0	U,S,G,C	M	-	-	-
<input checked="" type="checkbox"/>	43130500	1,56	70	264	220	2,1	K1/K2	H13	-	-	-
<input type="checkbox"/>	43120200	1,56	70	264	220	2,0	K1/K2	H13	-	-	-
<input type="checkbox"/>	43130700	3,50	70	264	470	3,2	K1/K2	H13	-	-	-
<input type="checkbox"/>	43130702	3,50	70	264	470	4,0	K1/K2	H13	-	-	-
<input type="checkbox"/>	43130800	4,50	70	264	600	3,8	K1/K2	H13	-	-	-
<input type="checkbox"/>	43130801	4,50	70	264	600	3,0	K1/K2	H13	-	-	-
<input type="checkbox"/>	43130900	6,50	70	264	870	4,8	K1/K2	H13	-	-	-
<input type="checkbox"/>	43130901	6,50	70	264	870	6,0	K1/K2	H13	-	-	-
<input type="checkbox"/>	43120300	2,28	120	264	220	2,0	U,S,G,C	M	-	X	-
<input type="checkbox"/>	43120301	2,38	120	264	220	2,0	U,S,G,C	M	X	X	GS
<input type="checkbox"/>	43120303	10,00	120	264	87	4,0	U,S,G,C	M	X	X	-
<input type="checkbox"/>	43120304	2,38	120	264	220	2,0	U,S,G,C	M	X	X	A4
<input type="checkbox"/>	43120400	0,7	80	338	42	0,8	U,S,G,C	M	-	-	-
<input type="checkbox"/>											

* A2=AISI 304 / A4=AISI 316L / GS=Galvanized steel

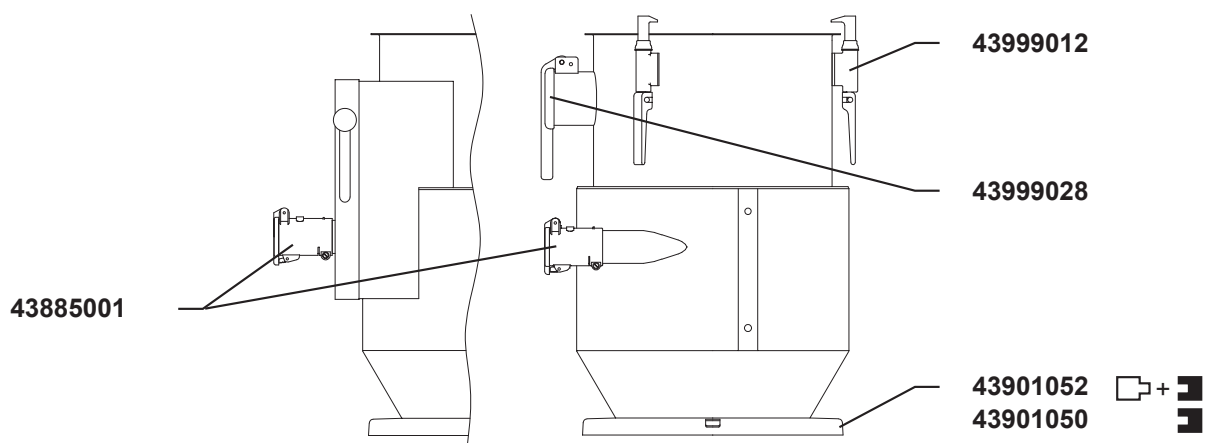
43130500



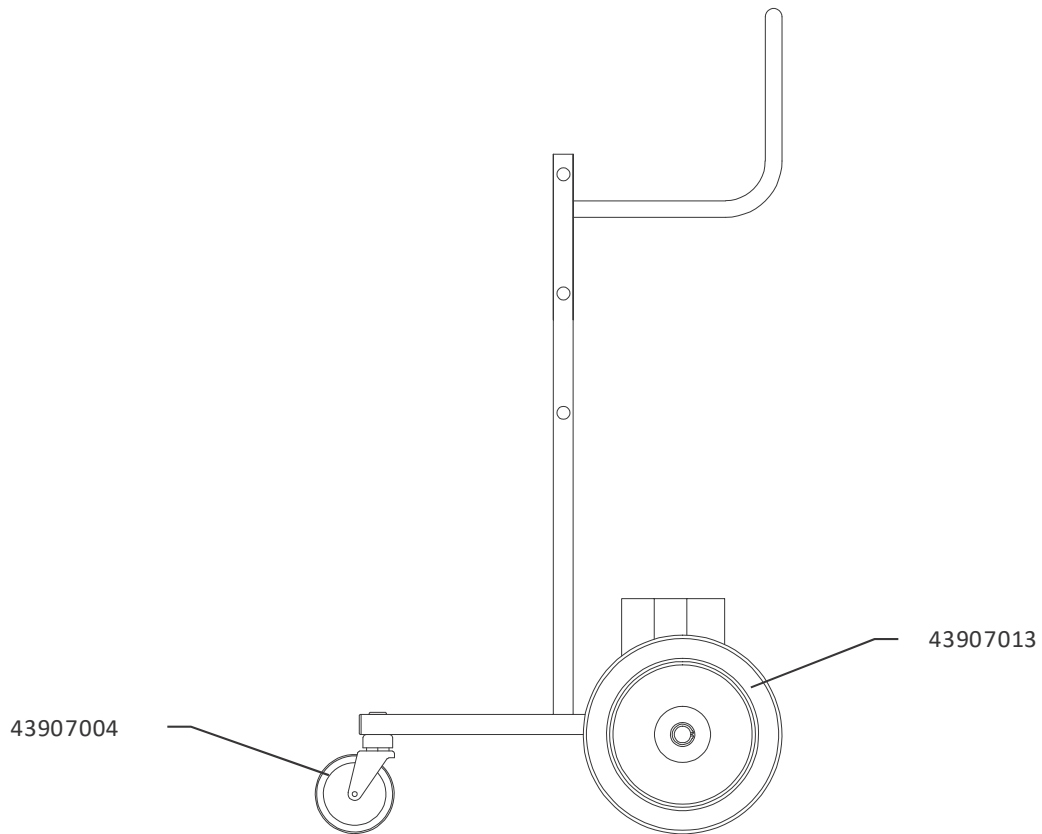
S235JR(St37.2)



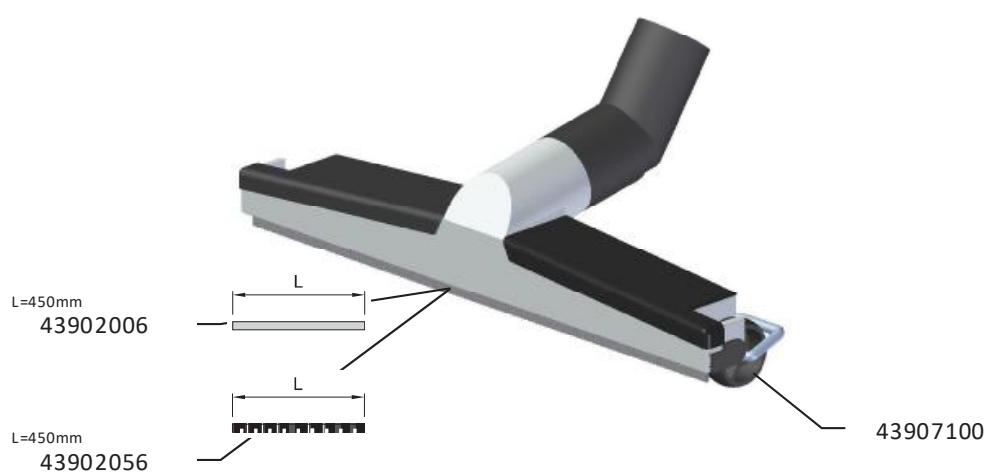
43332001



43424001



43723001



43840001

Nederman

www.nederman.com