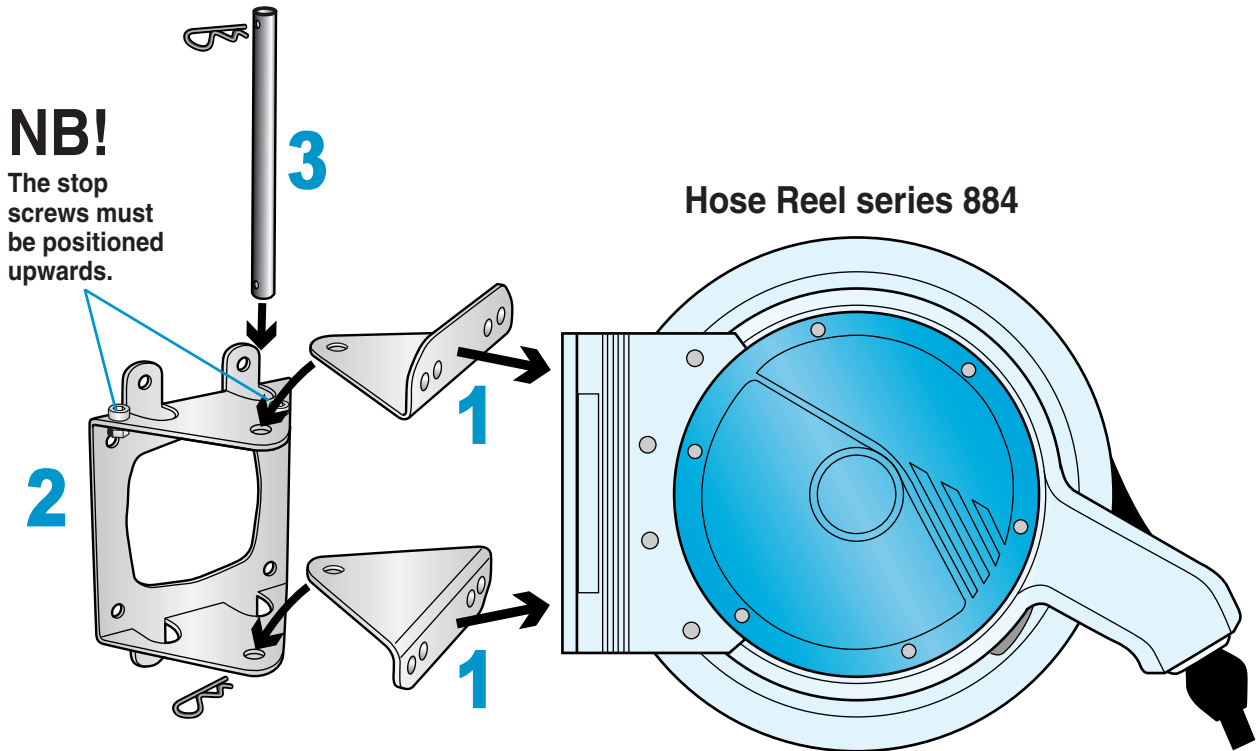


Pivoting Wall Bracket for Hose Reel series 884 and 886



- 1** Fit the brackets on the reel's foot plate.
- 2** Mount the bracket on the wall. Ensure that suitable bolts are used and that they are secure. The bolts must each stand a torque force of minimum 7600 N for Hose Reel series 884 and 7300 N for Hose Reel series 886.
- 3** Use the axle to mount the brackets together.

