

Air driven series

511A - NE64, S200, w/ 2" ball valve

42151101

Original manual

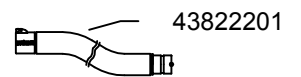
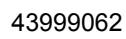
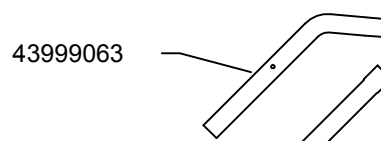
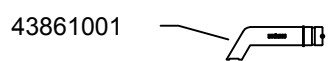
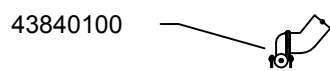
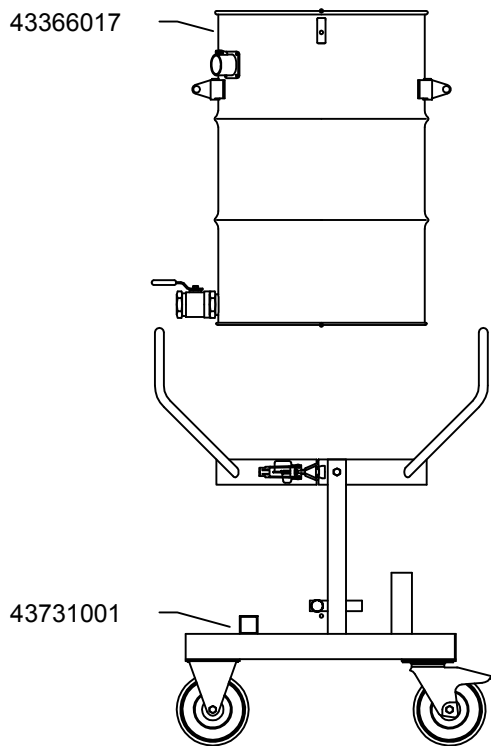
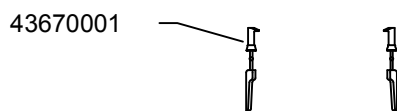
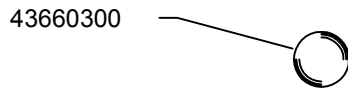
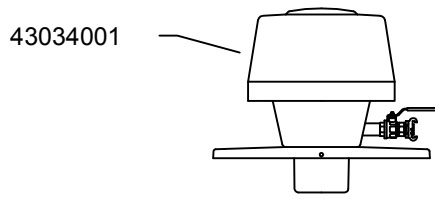
EN MODEL SPECIFICATION AND SPARE PARTS

Model Specification

Description: 511A - NE64, S200, w/ 2" ball valve

Model: 42151101

Code no.	Description	Qty.	Page
43034001	NE64, S200	1	4
43366017	Container S200 d51 w/ballvalve R2	1	5
43660001	Basket S50	1	6
43660300	Float ball S50/200	1	-
43670001	Fastener complete	1	-
43731001	Trolley tippable S200	1	7
43822201	Suction hose PVC d51 L=12m	1	-
43840100	Floor suct head d51/400	1	8
43861001	Hand suct head d51 toothed	1	-
43999062	Suction pipe d51 A4 L-800 mm	1	-
43999063	Pipe bend d51 A4	1	-

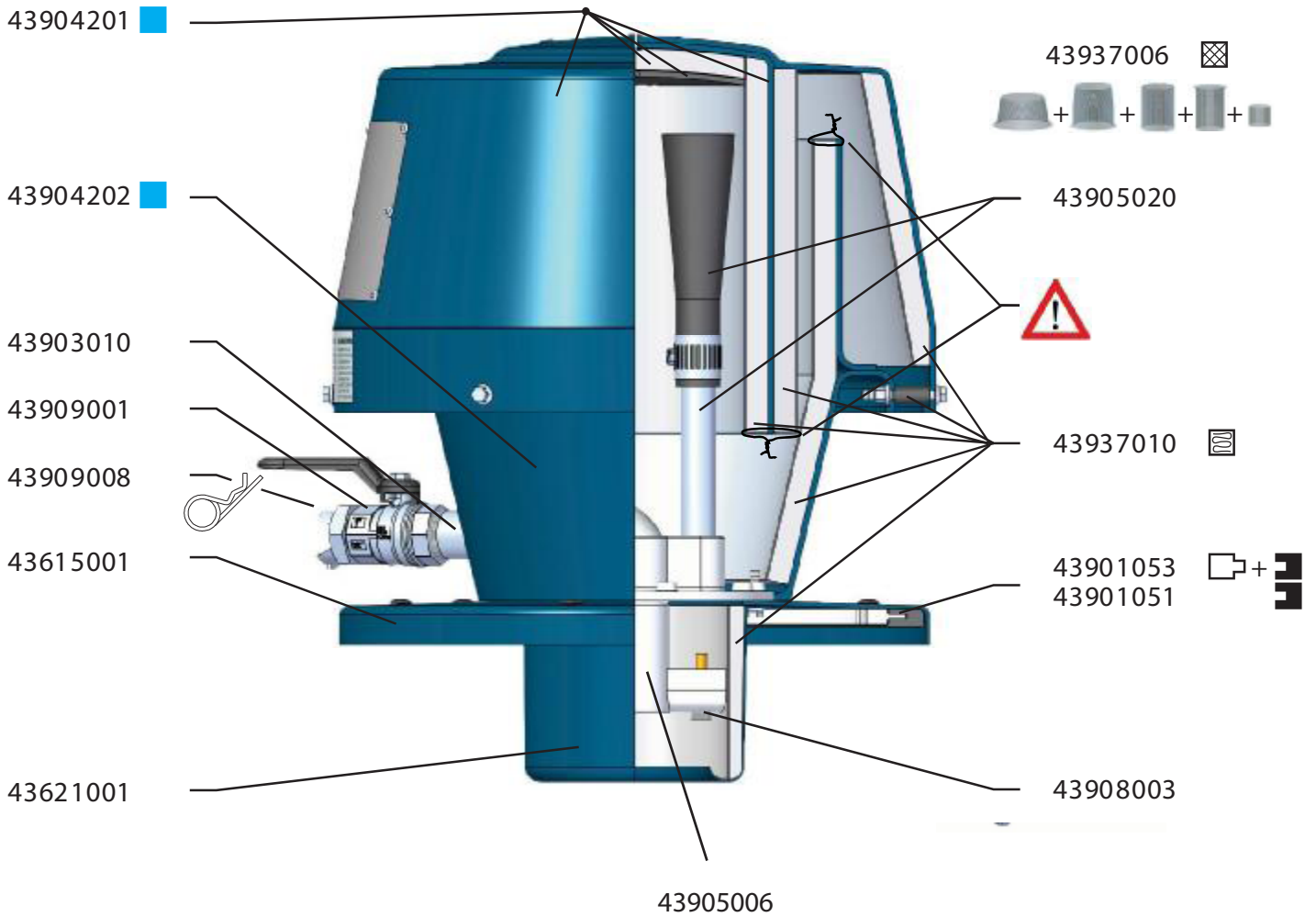




MAX 8 bar



S 235JR (St37.2)





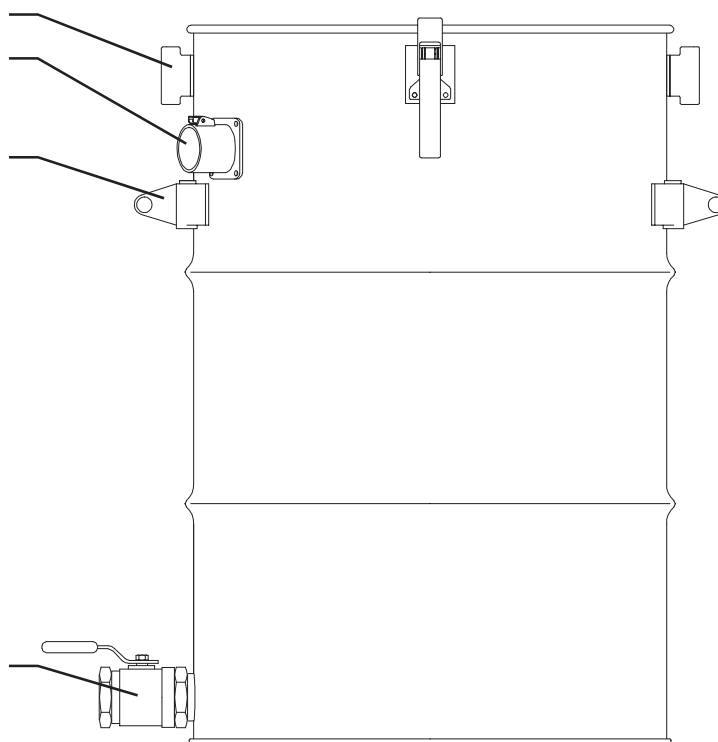
S 235JR (St t37.2)

43999512

43885001

43999033

43909003





43908004



43660001

