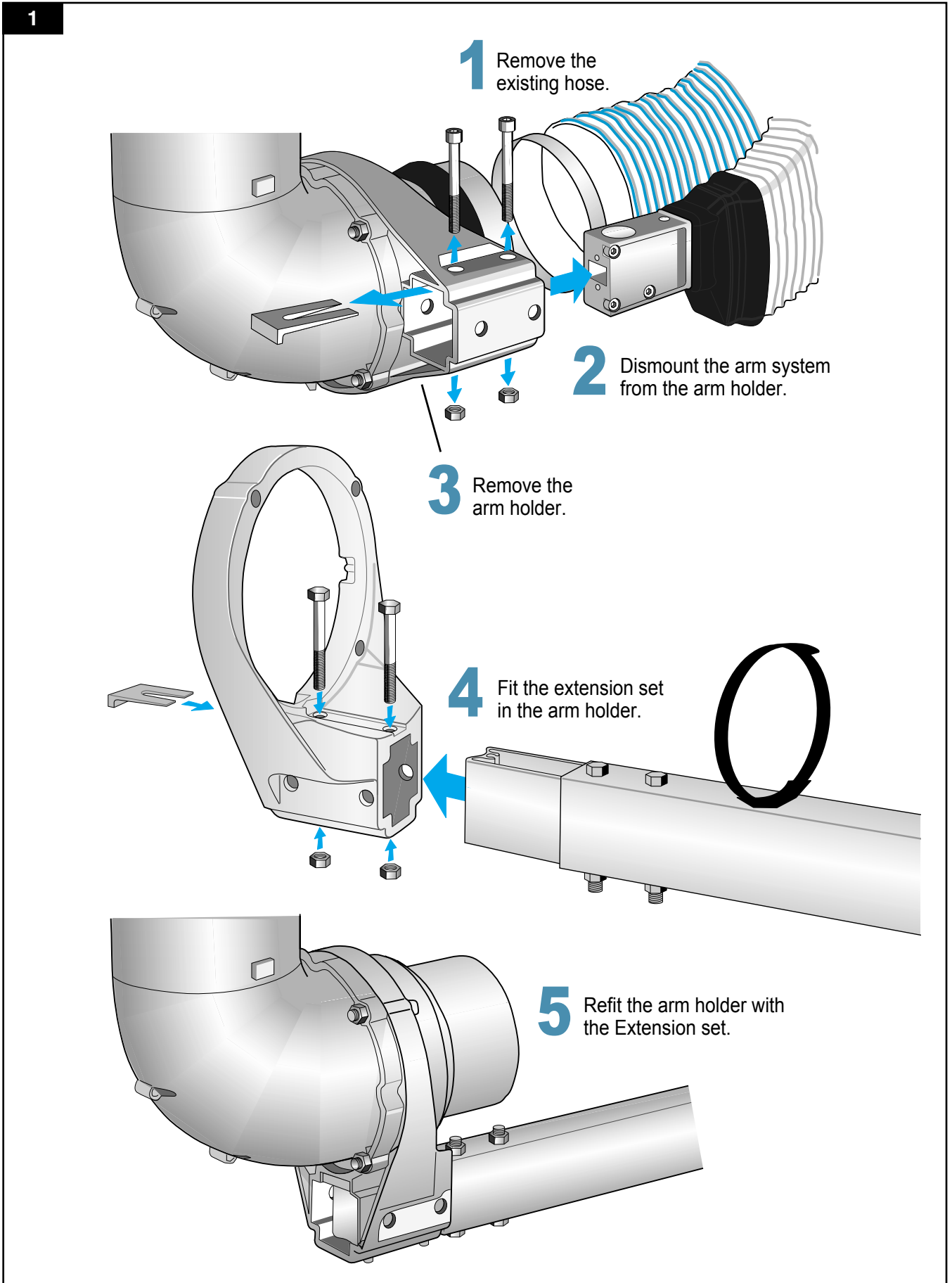
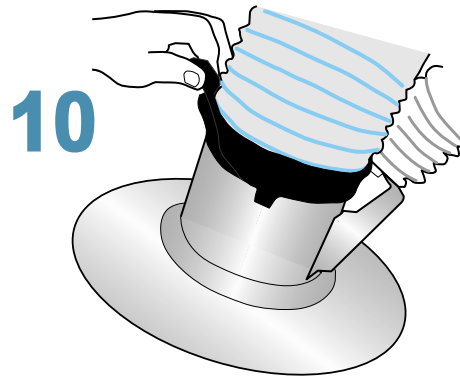
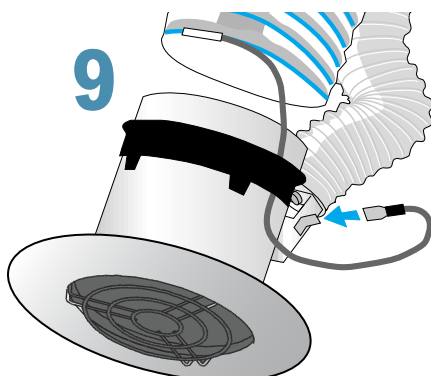
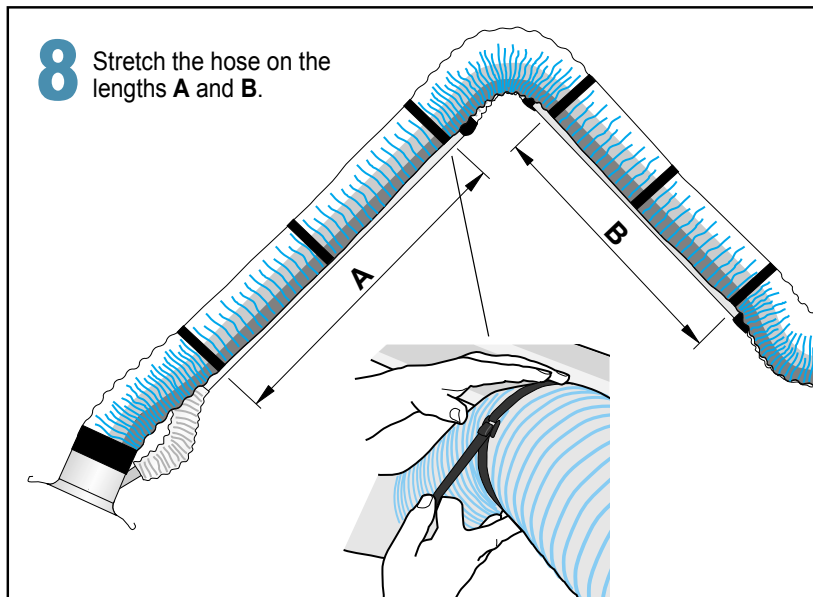
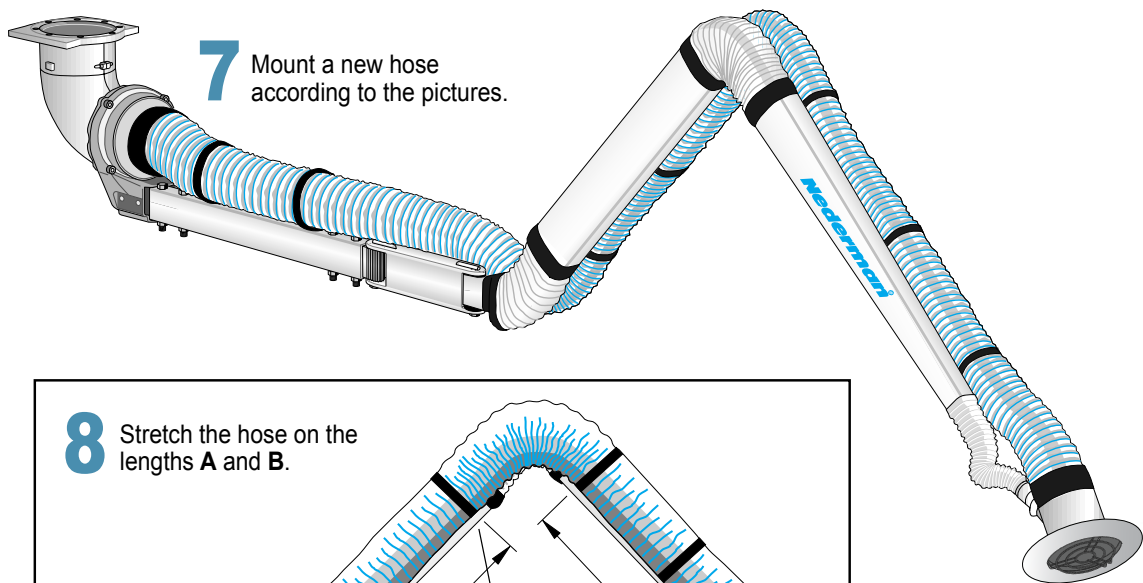
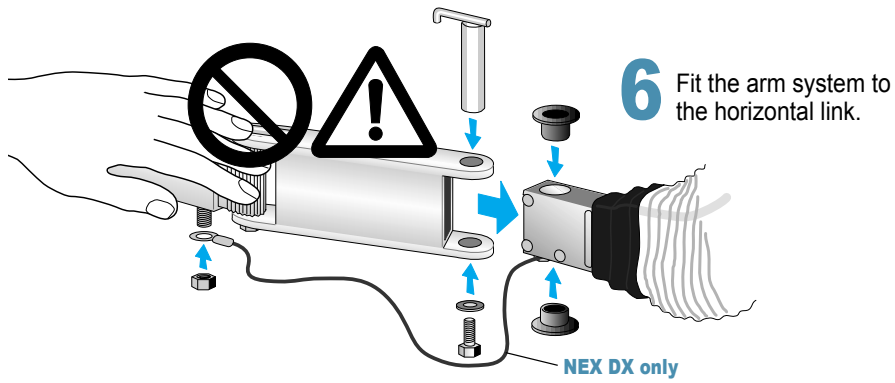


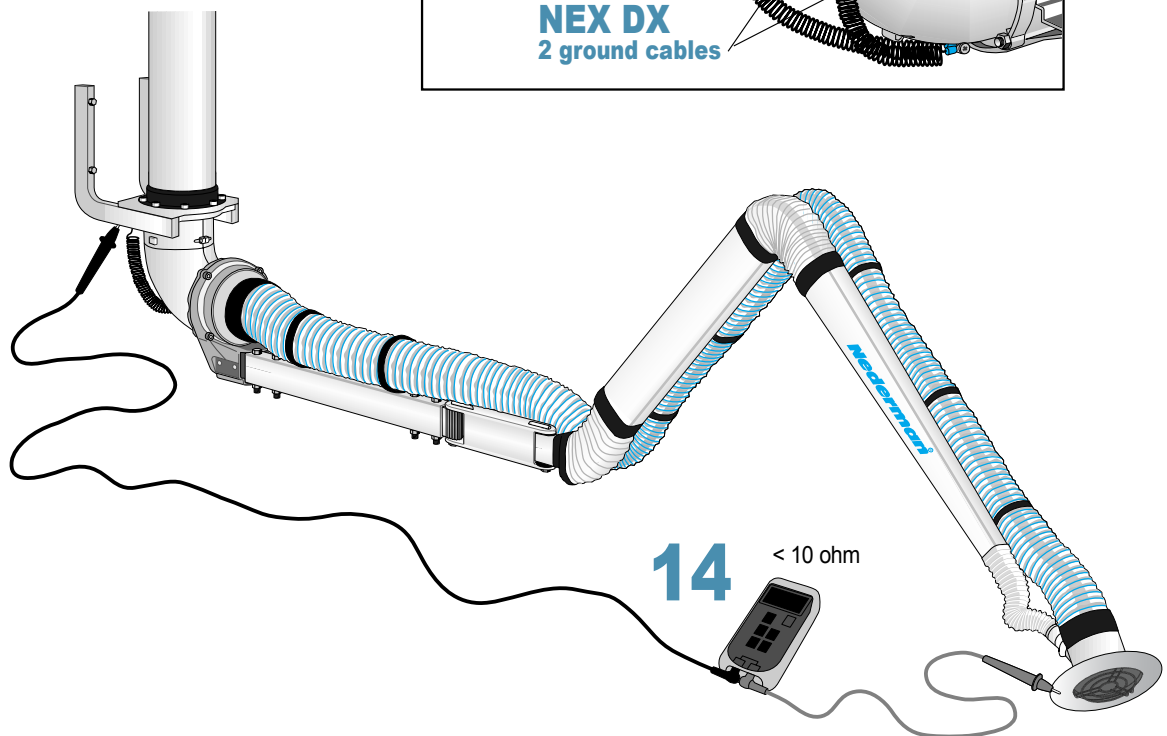
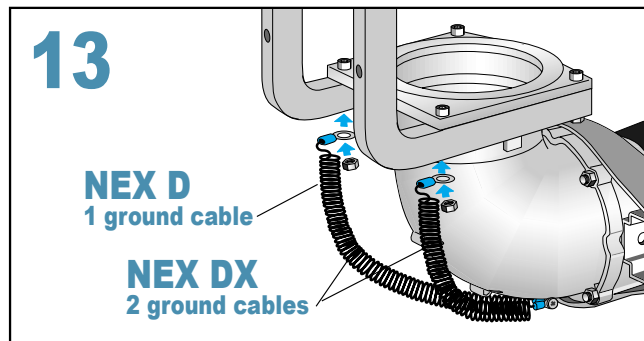
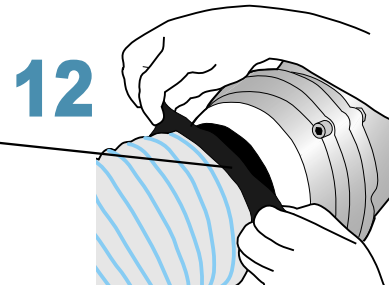
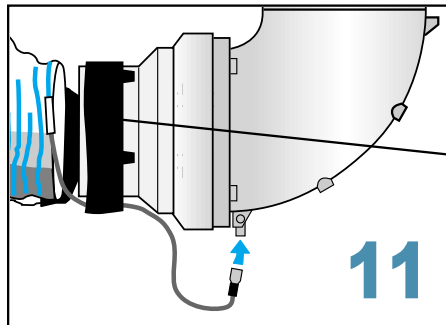
Extension set, 1 m or 2 m – Mounting instruction



2



3



Nederman

www.nederman.com